



IPL, Roller Compact 3400, 9643404-01, 9643404-62, 2005-10

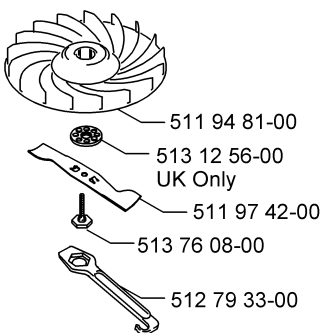
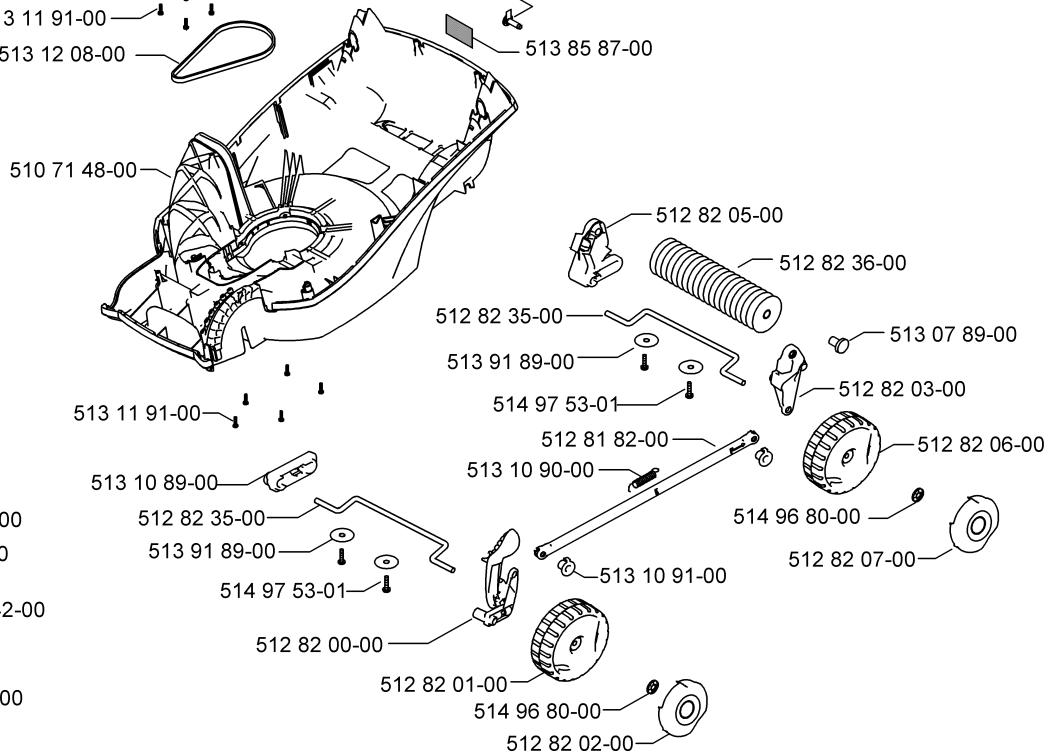
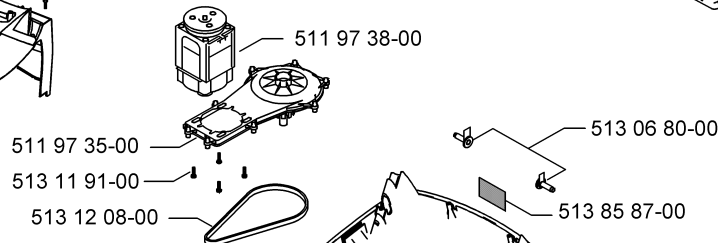
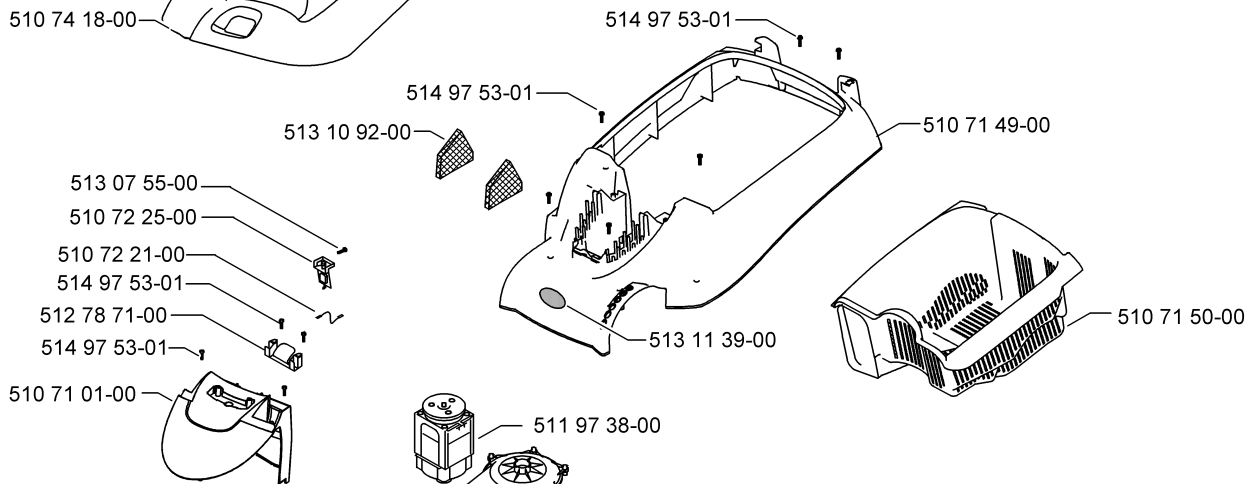
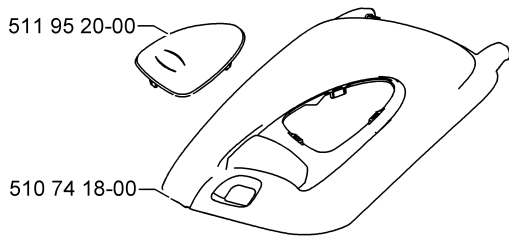
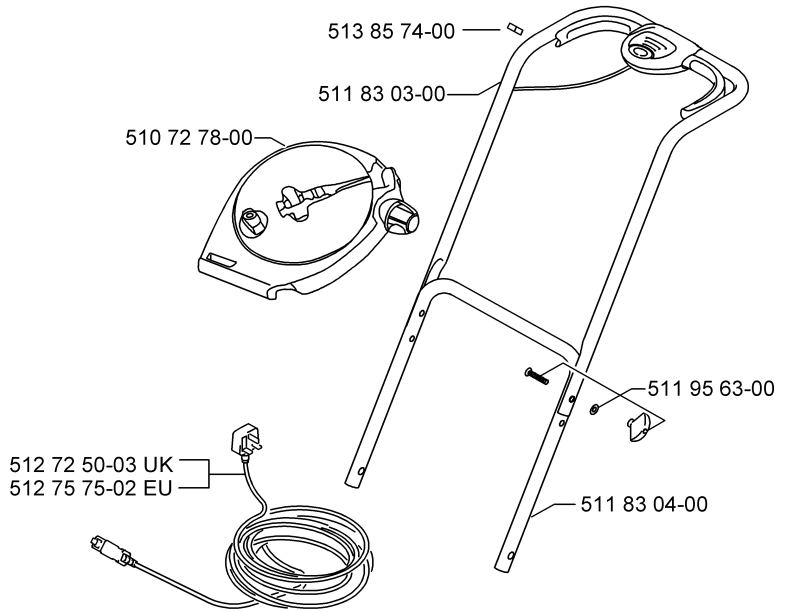
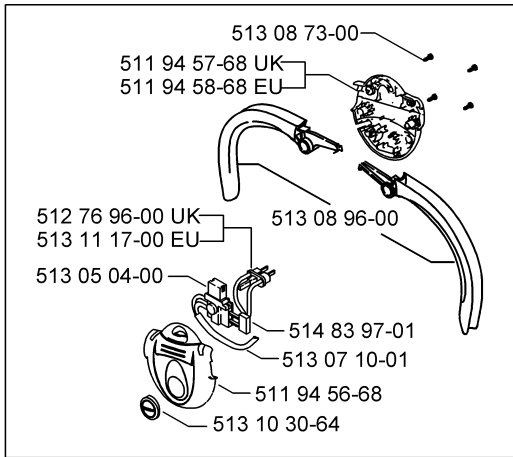
# Roller Compact 3400



Factory:  
Product Group:  
Sub Group:  
Publication Date:  
Publication Number:

FLM - Newton Aycliffe  
OM 78  
Electric Wheeled: 7891  
23/11/05  
AP0510001

IPL, Roller Compact 3400, 9643404-01, 9643404-62, 2005-10



## IPL, Roller Compact 3400, 9643404-01, 9643404-62, 2005-10

Part Number	Description	Qty	Note	Part Number	Description	Qty	Note
510 71 01-00	MOTOR COWL RCV	1		513 11 91-00	SCREW-CAP. WASHER 6 SPLINE	9	
510 71 48-00	DECK LOWER MOULDING (34CM)	1		513 12 08-00	BELT J7	1	
510 71 49-00	DECK UPPER MOULDING (34CM)	1		513 12 56-00	SPACER	1	UK
510 71 50-00	GRASS BASKET (34CM)	1		513 76 08-00	BLADE BOLT ASSY (BROWN)	1	
510 72 21-00	LEAD	1		513 85 74-00	CABLE CLIP	2	
510 72 25-00	SWITCH BRACKET ASSY	1		513 85 87-00	LABEL:WARNING (ELECTRIC)	1	
510 72 78-00	EASI REEL EXC MAINS LEAD	1		513 91 89-00	WASHER (PLAIN) (6936501)	4	
510 74 18-00	LID PRINTED RCV3400	1		514 83 97-01	CAPACITOR PWR.HOE/MULTI TRIM	1	
511 83 03-00	HANDLE UPPER - COATED	1		514 96 80-00	10MM STARLOCK WASHER	4	
511 83 04-00	HANDLE LOWER PAINTED	1		514 97 53-01	SCREW NO8X3/4" POLYMATE	13	
511 94 56-68	SWITCHBOX UPPER GREY	1					
511 94 57-68	SWITCHBOX LOWER UK GREY	1	UK				
511 94 58-68	SWITCHBOX LOWER EU GREY	1	EU				
511 94 81-00	IMPELLER	1					
511 95 20-00	VISION WINDOW RCV	1					
511 95 63-00	HANDLE FIXING KIT	1					
511 97 35-00	DRIVE ASSY RCV	1					
511 97 38-00	MOTOR AMETEK 938243	1					
511 97 42-00	BLADE 34CM	1					
512 72 50-03	EXTENSION CABLE MLD PLUG	1	UK				
512 75 75-02	EXTENSION CABLE MLD PLUG	1	EU				
512 76 96-00	PIN - RETAINER ASSY UK E330	1	UK				
512 78 71-00	LID LATCH	1					
512 79 33-00	ABS SPANNER (PLASTIC)	1					
512 81 82-00	LINK ROD MOULDING RCV	1					
512 82 00-00	HEIGHT ADJUSTMENT ARM	1					
512 82 01-00	WHEEL MOULDING (DIA. 150MM)	2					
512 82 02-00	HUB CAP (DIA. 150MM)	2					
512 82 03-00	SPACER MOULDING (REAR LHS)	1					
512 82 05-00	SPACER MOULDING (REAR RHS)	1					
512 82 06-00	WHEEL MOULDING (DIA. 175MM)	2					
512 82 07-00	HUB CAP (DIA. 175MM)	2					
512 82 35-00	AXLE 34CM	2					
512 82 36-00	ROLLER 34CM	1					
513 05 04-00	SWITCH 8A 250V	1					
513 06 80-00	HANDLE FIX	2					
513 07 10-01	LEAD ASSY	1					
513 07 55-00	SCREW NO.8X3/4"PLASTITE CSK	1					
513 07 89-00	PIN ROLLER	2					
513 08 73-00	SCREW NO6X19 POLYMATE PAN/HD	4					
513 08 96-00	SWITCHBOX LEVERS KIT	1					
513 10 30-64	BUTTON LOCK-OFF ORANGE	1					
513 10 89-00	SPACER (RHS)FRONT	1					
513 10 90-00	SPRING:COUNTER BALANCE	1					
513 10 91-00	PIN MOULDING	2					
513 10 92-00	FILTER	2					
513 11 17-00	PIN RETAINER EURO	1	EU				
513 11 39-00	BADGE	1					